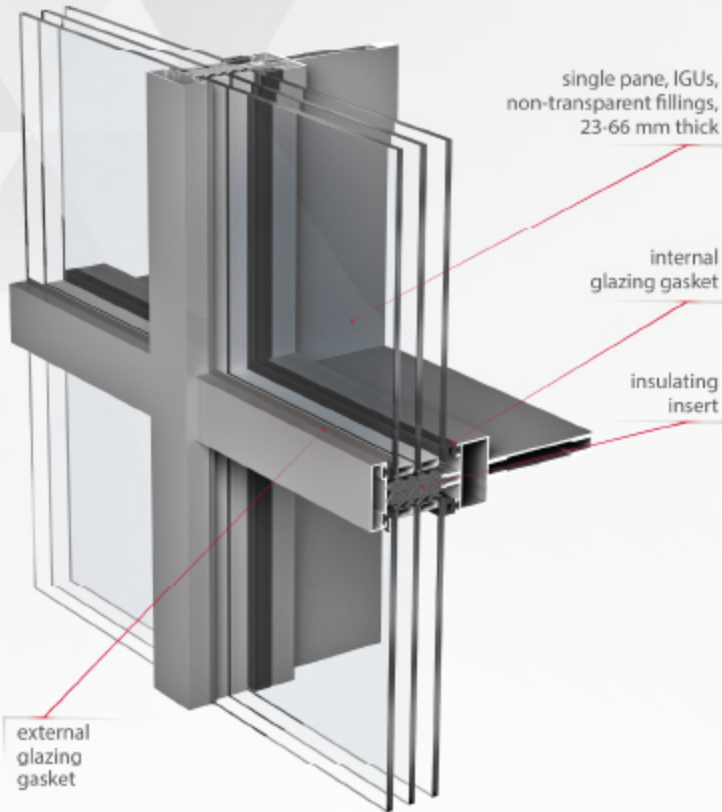


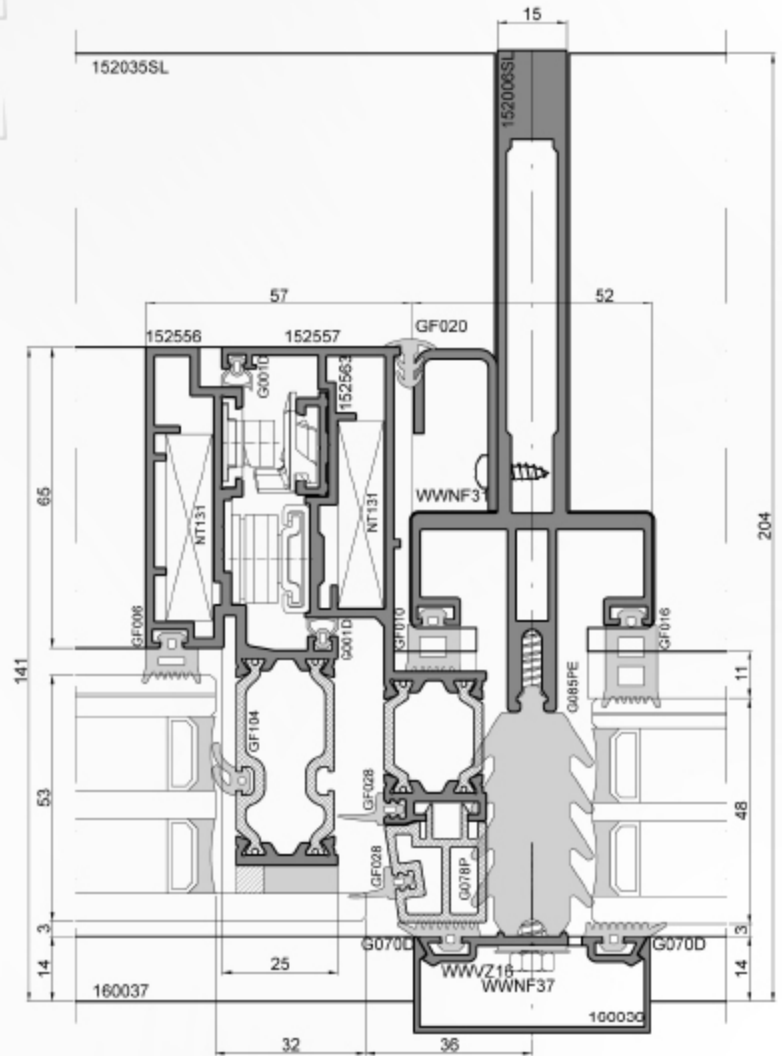
CURTAIN WALL SYSTEM

PONZIO PF152 SLIM



$$U_{cw} = 0.62 \text{ W/m}^2\text{K}$$

*calculated for reference construction
W 1200 x H 2500 mm, $U_g = 0.5 \text{ W/m}^2\text{K}$,
triple glazed unit



- aluminium mullion-transom curtain wall system
- external profile width: 52 mm
- internal (visible) profile width: 15 mm
- cover profile width: 51 mm
- good thermal insulation, sound reduction, watertightness and resistance to wind load parameters (as a variant of PF152)
- allows creative design of curtain walls in terms of colour and shape
- "horizontal" or "vertical" line constructions
- a wide variety of decorative covers
- interconnected with other Ponzio systems